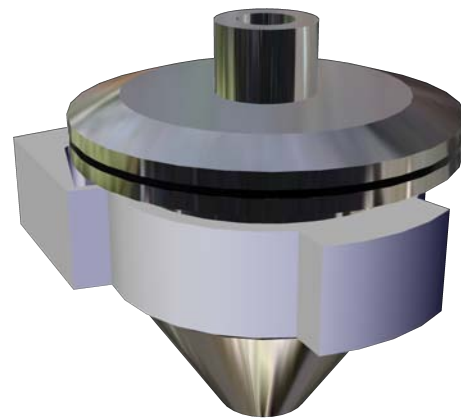


# MF-2.5-SS Magnetic Filter

Avoid Costly Damage to Sample Equipment

Solutions' Magnetic Filter removes virtually all iron corrosion products and debris by the internal magnetic capsule. The Magnetic Filter is designed to protect sequencer solenoid valves as well as silica, sodium and other analyzers with small passages.



Solutions' MF-2.5-SS is easy to install and service. The filter is cleaned by simply removing the clamp and rinsing the magnetic element.

### Part Number & Description

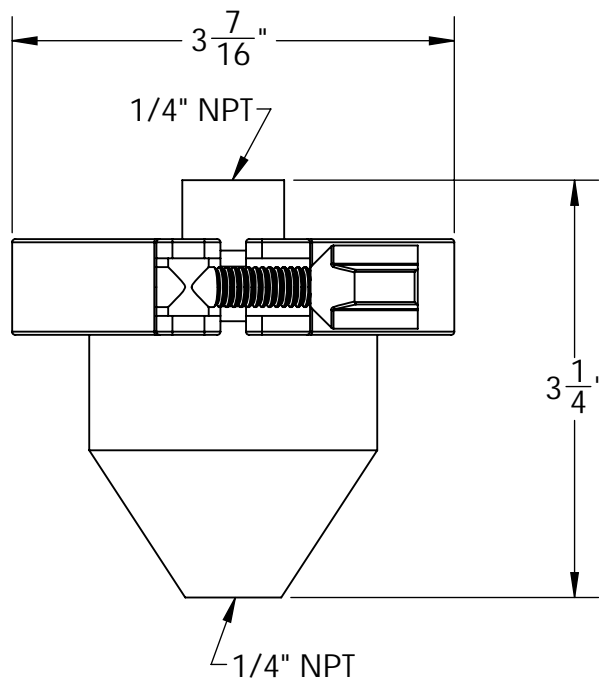
MF-2.5-SS - Stainless Steel Housing & Clamp, Magnetic Filter & Plastic Mount;

**MF-2.5-SS** Magnetic Filter

# MF-2.5-SS Magnetic Filter

Avoid Costly Damage to Sample Equipment

## SPECIFICATIONS



### Technical Details:

Rating: 400 psi @ 70°F  
200 psi @ 250°F

Flow: Up to 1800 cc/min  
Bi-Directional

Weight: 3.25 lbs

### Material:

Body: All Stainless

Clamp: All Stainless

Seal: Reusable & Replaceable

Mounting Clamp: Plastic

Core: Magmom Brand

**Solutions**  
Incorporated

**Solutions, Inc.**

1174 E Bear Hollow Cir.  
Draper, UT 84020

**Phone:** 801-576-8796

**Fax:** 801-568-2440

**E-mail:** info@samplepanels.com

**Website:** www.samplepanels.com